

LDS V8 Shaker Systems

Medium-Force Electrodynamic Vibration Systems



*left: V8-440, trunnion-mounted with Lin-E-Air suspension;
centre: combo shaker with slip table and guided head expander; right: SPA-K amplifier*

Mounting Selection

- Base-mounted
- Lin-E-Air air isolated trunnions

Other Options

- Combo slip table
- V-groove castors
- Air glide
- Chamber floor support
- Silencer for shaker cooling fan
- Thermal management
- Head expander

The LDS® V8 series shaker system is ideal for vibration and mechanical shock testing using sinusoidal, random, or transient excitation. V8 systems are available in armature sizes of 440 mm (17.32 in) and 640 mm (25.20 in).

Systems are available in various forms to meet customers' exact requirements, for example: Lin-E-Air trunnion-mounted with a body rotation gearbox; combined with a horizontal hydrostatic slip table; or for under-chamber operation.

Maximum Force Ratings for System Configurations

	Sine Force (peak)		Random Force (rms)*		Half-sine Shock Force*	
	V8-440	V8-640	V8-440	V8-640	V8-440	V8-640
with SPA40K Amplifier	42.00 kN (9 442 lbf)	42.00 kN (9 442 lbf)	47.14 kN (10 598 lbf)	39.72 kN (8 929 lbf)	84.54 kN (19 005 lbf)	84.70 kN (19 042 lbf)
with SPA48K Amplifier	50.40 kN (11 330 lbf)	50.40 kN (11 330 lbf)	56.57 kN (12 718 lbf)	47.66 kN (10 714 lbf)	101.45 kN (22 806 lbf)	101.64 kN (22 850 lbf)
with SPA56K Amplifier	57.83 kN (13 000 lbf)	55.60 kN (12 500 lbf)	66.00 kN (14 837 lbf)	55.60 kN (12 500 lbf)	118.35 kN (26 607 lbf)	118.59 kN (26 660 lbf)

* Random and shock ratings assume a payload approximately twice the mass of the armature. Half-sine shock force is calculated with the standard payload, 2 ms pulsewidth, 10% pre/post pulse.

V8 Shaker Specification

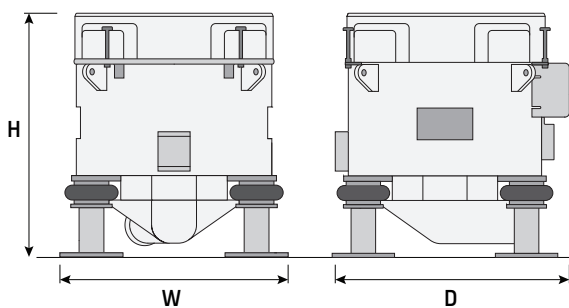
LDS Shaker Model	V8-440	V8-640
Armature Diameter	440 mm (17.32 in)	640 mm (25.20 in)
Usable Frequency Range	dc to 2500 Hz	dc to 2300 Hz
Armature Resonance (fn)	2000 Hz	1900 Hz
Acceleration (sine peak)†	1370 m/s ² (140.0 gn)	392 m/s ² (40.0 gn)
Acceleration Random (rms)†	980 m/s ² (100.0 gn)	392 m/s ² (40.0 gn)
Effective Mass of Moving Elements (Armature with Raised Inserts)	42.0 kg (92.6 lb)	47.0 kg (103.6 lb)
Suspension Rotational Stiffness	387 kN m/rad (286 000 lbf ft/rad)	538 kN m/rad (397 000 lbf ft/rad)
Suspension Cross-axial Stiffness	27.6 kN/mm (158 000 lbf/in)	29.0 kN/mm (166 000 lbf/in)
Stray Magnetic Field§	Base-mounted Shaker: < 1.6 mT (16 gauss) — Trunnion-mounted Shaker: < 1.0 mT (10 gauss)	
Suspension Axial Stiffness	20 kN/m (114 lbf/in)	
Velocity (sine peak)†	1.8 m/s (70.9 in/s)	
Displacement (peak-peak)‡	63.5 mm (2.5 in)	
Internal Load Support Capability	700 kg (1540 lb)	
Body Mass	Base Mounted: 3050 kg (6724 lb) — Lin-E-Air Trunnions: 3250 kg (7165 lb)	
Body Suspension Resonance	Lin-E-Air Suspension: < 5 Hz — Air Isolaton Mounts: < 10 Hz	
Ambient Working Temperature	+7 to 30 °C (+45 to 86 °F)	
Maximum Dimensions (H x W x D)	Trunnion-mounted Shaker: 1320 x 1693 x 1138 mm (52.0 x 66.6 x 44.8 in) Base-mounted Shaker: 1225 x 1103 x 1341 mm (48.2 x 43.4 x 52.8 in)	

† Velocity and acceleration ratings depend on the amplifier driving the shaker.

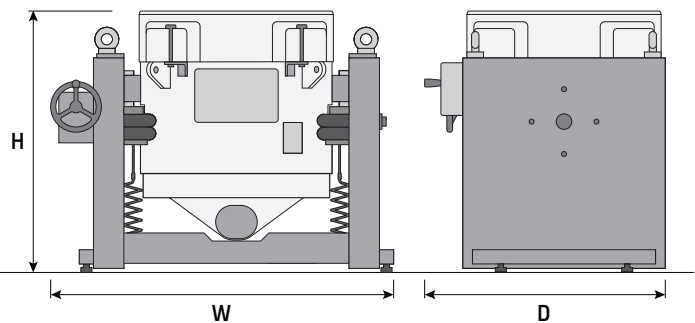
‡ Displacement can vary with payload and shaker orientation. Please contact Brüel & Kjær for advice on specific test requirements.

§ Measured at a distance of 1 m (3.3 ft) and at a height of 1.6 m (5.2 ft) above floor level in an enclosed cell.

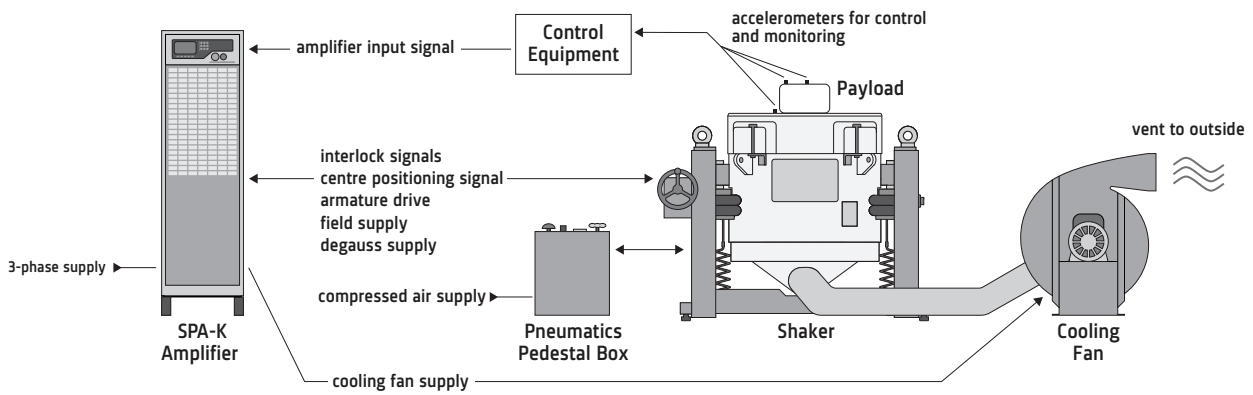
Base-Mounted V8



V8 on Lin-E-Air Trunnions



Typical Vibration Test System



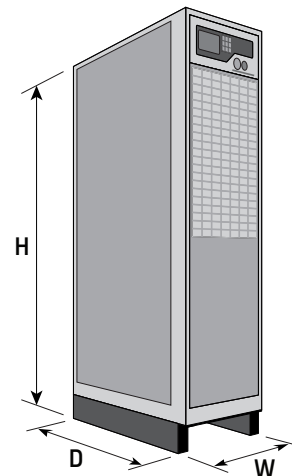
SPA-K Amplifier Specification

Power Range	40 – 56 kVA in 8 kVA increments
Signal-to-Noise Ratio	> 68 dB wrt 100 V rms output**
Input Impedance	10 kΩ nominal
Total Harmonic Distortion	0.5 to 0.8 % at rated output into rated resistive load
Input Sensitivity	1.0 V for 100 V rms output
Switching Frequency	150 kHz
Efficiency	> 90 % (not including field power supply)
Rated Output Voltage	100 V rms (sine)
Continuous Output Current	80 A rms (sine and random) per 8 kVA increment
Full Power Bandwidth	20 Hz to 3 kHz
Transient Output Current	240 A per 8 kVA increment for 100 ms
Module Efficiency	93 %
Modulation Range	dc to 10 kHz
Protection	Integral protection to prevent output devices from working outside their specification limit.
Ambient Working Temperature	+5 to 30 °C (+41 to 86 °F)
Max. Dimensions (H x W x D)	1870 x 537 x 825 mm (74 x 21 x 33 in)

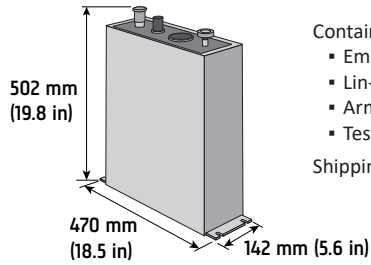
** 10 kΩ input termination and rated resistive load connected.

	Heat Rejected to Air	Cooling Airflow	Max. Input Requirement#	Weight
SPA40K	5.1 kW	0.65 m ³ /s	72.3 kVA	588 kg (1296 lb)
SPA48K	5.7 kW	0.72 m ³ /s	79.6 kVA	599 kg (1321 lb)
SPA56K	6.4 kW	0.80 m ³ /s	80.5 kVA	610 kg (1345 lb)

Includes requirements from cooling fan and system ancillaries in steady state.



Standard Ancillaries

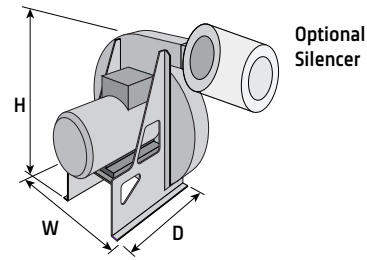


Pneumatics Pedestal Box

Contains:

- Emergency stop
- Lin-E-Air suspension air control valve
- Armature position indicator
- Test load control valve

Shipping Weight 20 kg (44 lb)



Shaker Cooling Fan

	V8 Cooling Fan 50 Hz	V8 Cooling Fan 60 Hz
Cooling Fan without Silencer (H x W x D)	1053 x 891 x 736 mm (41.5 x 35.1 x 30.0 in)	876 x 762 x 737 mm (34.5 x 30.0 x 29.0 in)
Cooling Fan with Silencer (H x W x D)	1112 x 1391 x 764 mm (43.8 x 54.8 x 30.1 in)	955 x 1262 x 764 mm (37.6 x 49.7 x 30.1 in)
Cooling Fan Shipping Weight	225 kg (496 lb)	198 kg (437 lb)

Environment, Supply, and Safety

Environmental Data

Max. Acoustic Noise*	
Shaker	118 dBA
SPA-K Amplifier	74 dBA
Cooling Fan	102 dBA
Total Heat Dissipation:	
Shaker (from body)	2.5 kW
SPA-K Amplifier	see page 3
Cooling Fan	62.0 kW
Cooling Airflow:	
Shaker via Cooling Fan	0.92 m ³ /s (1950 ft ³ /min)
SPA-K Amplifier	see page 3

* Maximum acoustic noise levels do not take into account any noise that may be generated due to payloads attached to the vibration testing system.

Electrical and Compressed Air Supply

Voltage 3-Phase	Standard: 380 to 500 V, 50/60 Hz Low Voltage Option: 200 to 220 V, 50/60 Hz
Compressed Air Supply	6.9 bar (100 lbf/in ²)

Safety

Complies with the following EU directives:

- Machinery: 2006/42/EC
- Low Voltage: 2014/35/EU
- EMC: 2014/30/EU
- Designed in accordance with EN 61010-1:2010

Brüel & Kjær and all other trademarks, service marks, trade names, logos and product names are the property of Brüel & Kjær or a third-party company.

Brüel & Kjær Sound & Vibration Measurement A/S
DK-2850 Nærum · Denmark · Telephone: +45 77 41 20 00 · Fax: +45 45 80 14 05
www.bksv.com · info@bksv.com
Local representatives and service organizations worldwide

Although reasonable care has been taken to ensure the information in this document is accurate, nothing herein can be construed to imply representation or warranty as to its accuracy, currency, or completeness, nor is it intended to form the basis of any contract. Content is subject to change without notice – contact Brüel and Kjær for the latest version of this document.

Brüel & Kjær 

